



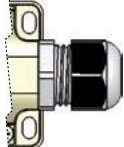
# JDC (M12) Junction Blocks

6 Port, 5 Pin JDC Junction blocks

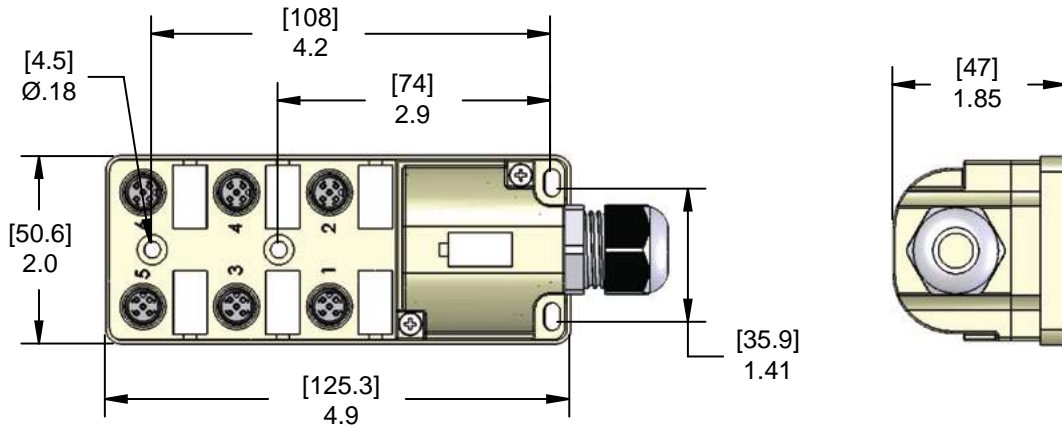


Straight Wired | IP67 Protection Rating



Trunk Style	UL Rating	Trunk Connection	Part Number
	UL Listed	Field Wireable 24 AWG - 16 AWG	JDC-6A0-025-F000
	UL Listed	Black PUR AWM With Foil Shield 24 AWG Drain Wire <b>4 x 18 AWG</b> <b>24 x 22 AWG</b> 12.4mm OD	JDC-6A0-025-C**

\*\* Lengths in meters. Standard cable lengths are 2m, 5m and 10m. Consult factory for other lengths.



JDC Junction Blocks

Q

## Specifications:

Ratings:	3 A per Connector 8 A per Block
Voltage:	Without LEDs: 0-150 Volt Max With LEDs: 48 VDC Max in accordance with LED Configuration
Body:	Polypropylene
Inserts:	Polyamide
Port Coupling Nuts:	PBT
O-Ring:	BUNA-N
LED Lens:	Polycarbonate
Contacts:	Copper Alloy with Gold Plating
Marker Tags:	Polyamide (supplied on all units)



# JDC (M12) Junction Blocks

6 Port, 5 Pin JDC Junction blocks



Straight Wired | IP67 Protection Rating



Function	Cable Version	Circuit
	Cable O.D. 0.50"	
ALL PORTS PIN 5	Green/Yellow	
PORT 1 PIN 1	Brown/Black	
PORT 1 PIN 2	White/Blue	
PORT 1 PIN 3	White/Black	
PORT 1 PIN 4	White	
PORT 2 PIN 1	Brown/Green	
PORT 2 PIN 2	White/Green	
PORT 2 PIN 3	Brown/Blue	
PORT 2 PIN 4	Green	
PORT 3 PIN 1	Yellow/Brown	
PORT 3 PIN 2	White/Yellow	
PORT 3 PIN 3	Black	
PORT 3 PIN 4	Yellow	
PORT 4 PIN 1	Gray/Brown	
PORT 4 PIN 2	Violet	
PORT 4 PIN 3	Gray/Pink	
PORT 4 PIN 4	Gray	
PORT 5 PIN 1	Pink/Brown	
PORT 5 PIN 2	White/Pink	
PORT 5 PIN 3	Violet	
PORT 5 PIN 4	Pink	
PORT 6 PIN 1	Brown/Red	
PORT 6 PIN 2	White/Red	
PORT 6 PIN 3	Red/Blue	
PORT 6 PIN 4	Red	

JDC Junction Blocks

Q